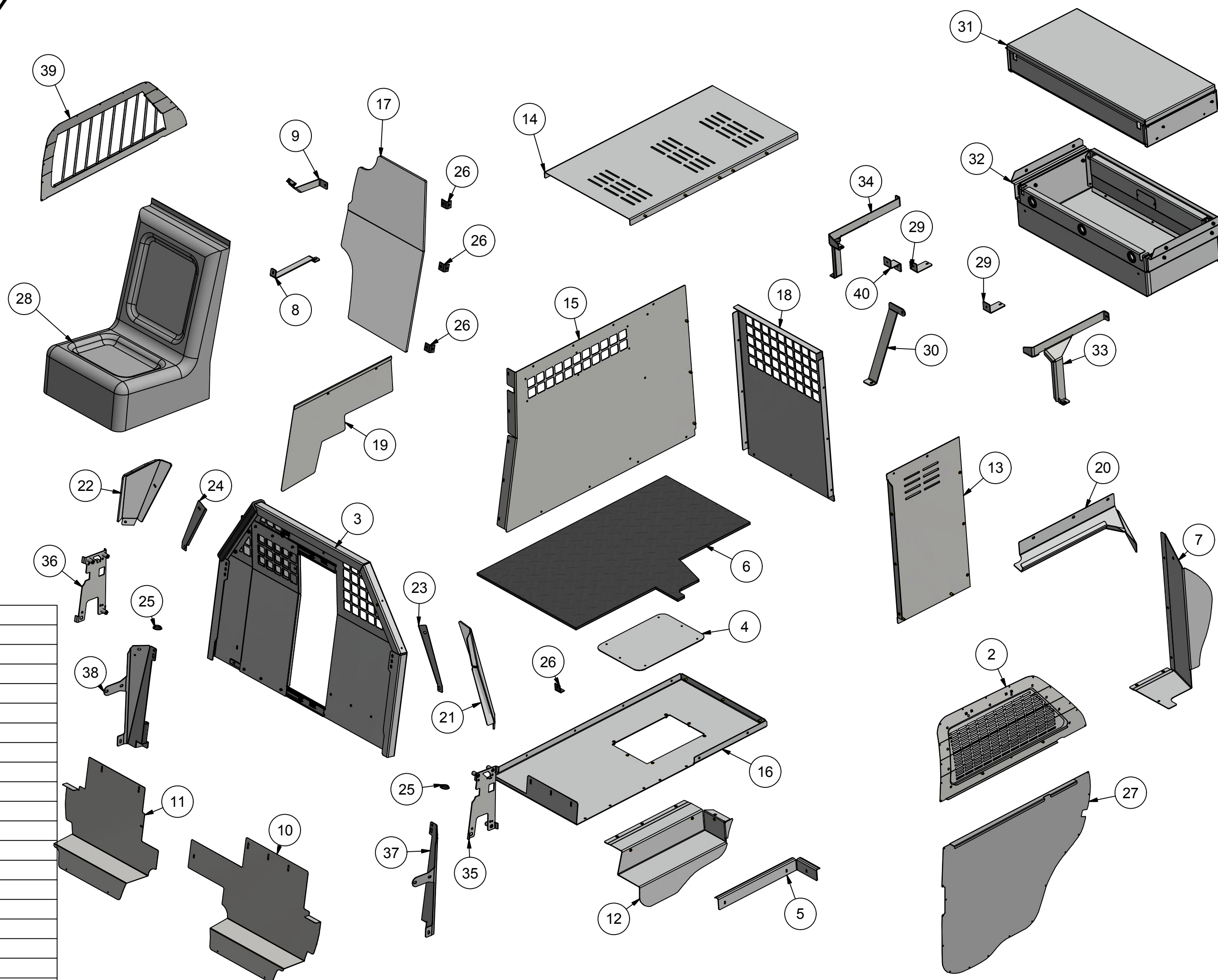


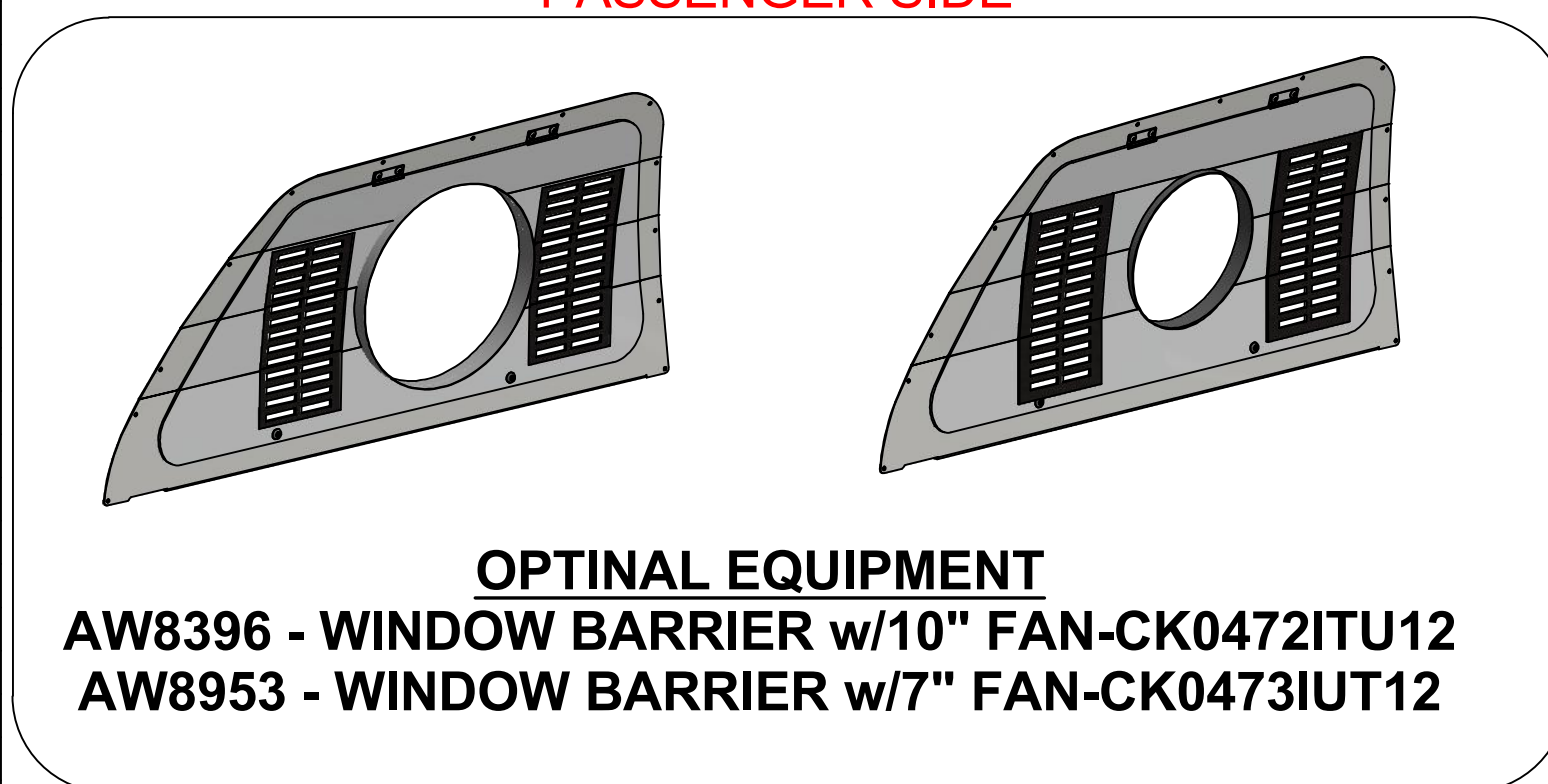
2012 INTERCEPTOR UTILITY ULTIMATE II K9 PACKAGE COMPLETE ASSEMBLY CK0471ITU12

BB11211 - Bolt Bag Content		
QTY	DESCRIPTION	PART NUMBER
2	#10 Flat Washer	10404-02839
2	10-24 x 3/4" PPHMS	0170558
2	10-24 U Spring Nut	15477
2	1/4" x 1" Nylon Bolt	MIC012520CD100B
2	1/4" x 1.25 THSCS	25C125KTCYO/ON PIN
3	1/4" x 3/4" THSCS	25C75KTCYO-NO PIN
4	3/8 Flat Washer	37NWUSY
4	1-4 in Nylon Washer	10404-05460
6	1/4" x 1/2" Rubber Washer	10325-00193
8	3/8" Wizlock	37CNFU8
8	3/8 Wizlock w-Wire	WF4532
8	3/8 x 1.250 BHSCS	37C125KBCYO
10	1/4" x 1" THSCS	25C100KTCYO-NO PIN
14	3/8" x 3/4" BHSCS	37C75KBCYO
27	1/4" Fender Washer	10404-02791
30	1/4" Dome Cap	10404-02824
36	1/4" Wizlock	10404-02789
42	#8 x 3/4" - Self Drilling Screw	0162730
60	1/4" x 5/8" THSCS	25C62KTCYO/NO PIN

Parts List			
ITEM	QTY	PART NUMBER	DESCRIPTION
1	41	ALS4-420-260	1/4" Riv Nut
2	1	AW8393	K9 - Window Barrier - Driver Side - Assembly
3	1	BRK9SSCA	Ultimate II Partition - Assembly (AP11170)
4	1	K911165	Hatch - Lid
5	1	K911166	Pad Clamp
6	1	K911210	Ultimate II Floor Pad
7	1	K98991	Ultimate K9 - Door Filler - Driver Side
8	1	K99002	Ultimate K9 - Wall - Lower Bracket
9	1	K99044	Ultimate K9 - Wall - Mid Bracket - Passenger Side
10	1	K99860B	LEP - Driver Side
11	1	K99861C	LEP - Passenger Side
12	1	K99862B	Door Step Filler - Driver Side
13	1	K99865	Panel - Driver Side
14	1	K99866	Roof
15	1	K99867C	Panel - Passenger Side
16	1	K99868B	Floor
17	1	K99869	#12 Divider Panel
18	1	K99870	Rear Panel
19	1	K99871B	Lower Filler - Passenger Side
20	1	K9W11169	Ultimate II - Roof Filler - Weldment
21	1	PP10621	Upper Side Filler With SCA - Driver Side
22	1	PP10622	Upper Side Filler With SCA - Passenger Side
23	1	PP10623B	Pressure Plate - Driver Side
24	1	PP10624B	Pressure Plate - Passenger Side
25	2	PP1500	Plastic Anti-Rattle Shim
26	4	PP2916	#12 Mounting Ear
27	1	PP6836A	Aluminum - Door Panel - Driver Side
28	1	SP8637	SPT TPO Single Seat
29	2	TP10803B	Upper Support Bracket For Ultimate II
30	1	TP11106	Front Mount bracket - Passenger Side Only
31	1	TPA8938LB	DSK - Drawe, Sliding w-Key Lock - For Locking Base
32	1	TPA9800	BSK - Base, Sliding w-Key Lock
33	1	TPW11104	Rear Mount Bracket - Driver Side
34	1	TPW11105	Rear Mount Bracket - Passenger Side
35	1	WP6414	B-Pillar Mount plate - Weldment - Driver Side
36	1	WP6415	B-Pillar Mount plate - Weldment - Passenger Side
37	1	WP6419D	Mount Plate - Weldment - Driver Side
38	1	WP6420D	Mount Plate - Weldment - Passenger Side
39	1	WSW7956	Steel Window Barrier - Weldment - Stock_TPO Door - Passenger Side
40	1	TP12651	TP12651 - 2012 Interceptor Utility - Ultimate II - Cargo Box mount Bracket - For TK0197ITU12 only



NOTE:
INCLUDE PP7841 - TPO DOOR PANEL
- PASSENGER SIDE



OPTINAL EQUIPMENT
AW8396 - WINDOW BARRIER w/10" FAN-CK0472ITU12
AW8953 - WINDOW BARRIER w/7" FAN-CK0473IUT12